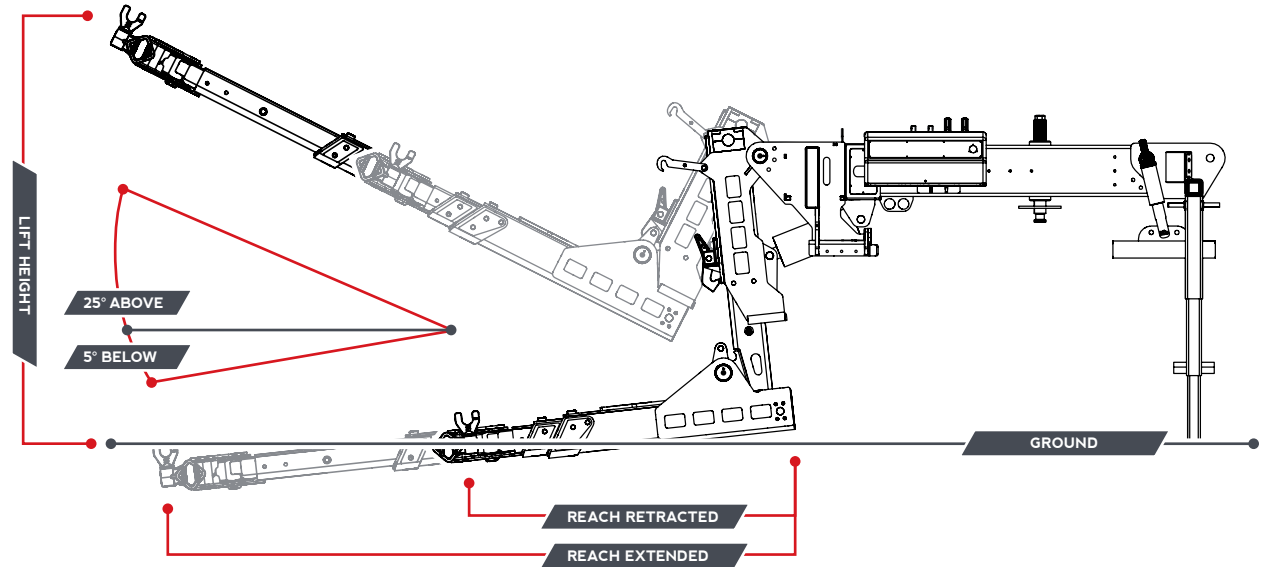


FIFTHWHEELER / Z252 Z353 Z453

MODEL COMPARISON



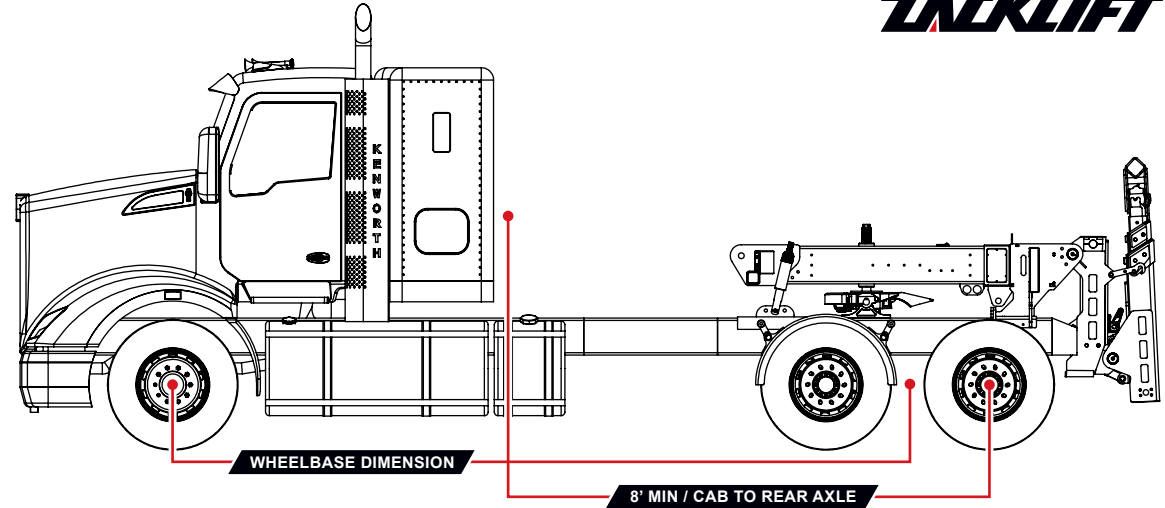
MODEL SPECIFICATIONS COMPARISON CHART

NOTE: ALL FIFTHWHEELER MODELS ARE AVAILABLE IN BOTH DETACHABLE OR PERMANENT MOUNT

MODEL	Z252 / IMPERIAL	Z252 / METRIC	Z353 / IMPERIAL	Z353 / METRIC	Z453 / IMPERIAL	Z453 / METRIC
LIFT CAPACITY - RETRACTED	25,000 LBS	11340 KG	35,000 LBS	15876 KG	45,000 LBS	20411 KG
LIFT CAPACITY - EXTENDED	13,000 LBS	5897 KG	16,000 LBS	7257 KG	20,000 LBS	9072 KG
TOW CAPACITY	75,000 LBS	34019 KG	85,000 LBS	38555 KG	100,000 LBS	45359 KG
UNDER LIFT TILT ABOVE GROUND	25 DEG	25 DEG	25 DEG	25 DEG	25 DEG	25 DEG
UNDER LIFT TILT BELOW GROUND	5 DEG	5 DEG	5 DEG	5 DEG	5 DEG	5 DEG
REACH RETRACTED	50 IN	1270 MM	56 IN	1422 MM	61 IN	1549 MM
REACH EXTENDED	89 IN	2261 MM	119 IN	3023 MM	132 IN	3353 MM
MAX REACH W/ 12" EXTENSION	101 IN	2565 MM	131 IN	3327 MM	144 IN	3658 MM
LIFT HEIGHT	68 IN	1727 MM	87 IN	2210 MM	92 IN	2337 MM

FIFTHWHEELER / Z252 Z353 Z453

CHASSIS RECOMMENDATIONS



MINIMUM WHEELBASE RECOMMENDATIONS

NOTE: COUNTER WEIGHT MAYBE REQUIRED FOR SHORTER WHEELBASES

MODEL	IMPERIAL	METRIC
Z252	240" +	6096 MM +
Z353	280 - 300"	7112 - 7620 MM
Z453	300 - 320 MM +	8128 MM+

HYDRAULIC REQUIREMENTS FOR PTO / PUMP (Z1304-52NC)

CONFIGURATION	IMPERIAL FLOW RATE / PRESSURE		METRIC FLOW RATE / PRESSURE	
ZACKLIFT ONLY	6-10 GPM	2,500-3,000 PSI	23-38 LPM	172-207 BAR
ZACKLIFT / STIFFLEGS & WINCH	10-12 GPM	2,500-3,000 PSI	38-45 LPM	172-207 BAR

ZACKLIFT CRATED SHIPPING WEIGHTS

MODEL	FIFTHWHEELER		PERMANENT MOUNT	
Z252	4,220 LBS	1914 KG	1,875 LBS	850 KG
Z353	5,115 LBS	2320 KG	2,770 LBS	1256 KG
Z453	5,805 LBS	2633 KG	3,460 LBS	1569 KG

GENERAL NOTES

- 12V SELF CONTAINED POWER PACK (Z1304 - 59NC) / CAN ONLY OPERATE ZACKLIFT UNIT, NO ACCESSORIES I.E. WINCH & IS NOT RECOMMENDED FOR Z353 OR Z453, SLOW MOVEMENT & OVERHEATING MAY OCCUR
- TRAILER GLAD HANDS FOR EMERGENCY AND SERVICE AIR
- TRAILER 7 WAY PLUG (TAIL LIGHTS AND 12V ACCESSORIES POWER)
- FIFTHWHEEL PLATE ON TRUCK MUST BE ADJUSTABLE
- TYPICAL CHASSIS FRAME WIDTH (OUTSIDE OF RAIL) IS 32" TO 35" OR (812 MM TO 889 MM)